

Southern Chester County

Sportsmen's & Farmers' Association

July-August-September 2011



President's Report to Members

Derek Strine

I am pleased to report that we had no unusual events during this quarter, (except a Hurricane, Earthquake, Tornado) just a lot of hard work by many members improving our club. The following reports by the various committee chairpersons outline the work done or in progress. It shows the variety of member talents our club has, from cement finishing to heavy equipment operation.

During the past years our club has grown from 200 members to over 1200, this means that the facilities and administration have to keep pace. Keep in mind that all positions are volunteer, so when we ask for help, please do. The last page lists the contact information and names of those serving as committee chairpersons. If you have a skill or are willing to help, send a note to the chairperson so they can contact you the next time we need help. Additional contact information is on the web site. The web site serves as a source of updates to the club activities. Check out the "What's New" or become a Facebook "Friend". The web site is the creation of Dave Markowitz and his IT committee. The savings in postage to mail this newsletter 4 times a year, exceeds \$5000.00 plus the work of envelope stuffing.

The improvement projects are proceeding, the parking lot was expanded to hold over 100 vehicles and it looks like we may need more space. Training at the club continues with the IPSC Chief Range Officer Class, and the NRA youth first steps program. For a list of scheduled training for juniors or to enroll your children or grandchildren in a class send a note to juniors@sccsfa.org.

Information Technologies Committee
Dave Markowitz

The IT Committee operates the systems that SCCSFA uses to run club business and communicate with our members. We'd like to encourage all members to periodically check the club's website at <http://www.sccsfa.org/> for updates on club happenings. The *What's New* page is RSS-enabled if you use a newsreader. The website also has a copy of the club's current Rules booklet as a PDF file that you can view online, save to your computer, or better yet, print out and keep in your range bag. Additionally, SCCSFA has a Facebook page where we post updates. Just go to <http://www.facebook.com/pages/SCCSFA/316632979575>, or login to Facebook and search for SCCSFA. "Like" our page and our updates will automatically appear in your news feed. Please make sure that announce@sccsfa.org is in your email client's address book, so you don't miss any of the email announcements from the club. To update your email preferences with our server, go to <http://www.sccsfa.org/phplist>.



Chief Range Officer Training at the Club:
Graham Smith Match Director, SCCPSA

The Southern Chester County Practical Shooters Association was the host for a USPSA Chief Range Officer course on Aug 13, 2011. The USPSA (IPSC) has three levels of Range Officer training. The Level I Course (Range Officer) is offered on a regular basis at clubs throughout the US. The Level II Course (Chief Range Officer) is normally done by correspondence and can take several months to complete. By having the class at Southern Chester County, we can offer Range Officers throughout this region a unique opportunity to take the bulk of the class in a one day format. By doing so, we will greatly increase the knowledge and skills of the Range Officers we depend upon to conduct matches in the area. The instructor, Perry Wilson came from near Chicago, IL to present the class. He is the NROI chief instructor. Our next match at the club will be October 20th, 2011. The schedule is listed on the event calendar on our web site.

08.20.2011

INTERNATIONAL PRACTICAL SHOOTING CONFEDERATION

08.20.2011



I



P



S



C



The club received its 2011 NRA Gold Club Award. The award took many hours of work by various club members in establishing the programs required. In addition to maintaining 100% NRA membership, a club must have an active youth program, and a newsletter at least 4 times a year for members. A list of NRA or Craft certified instructors is shown on the wall as well as other certificates of affiliation. Instructors may also be listed on the web site (www.sccsfa.org) under the heading "Training". The NRA and Craft instructor certification ensures that all training conducted at the club meets national standards. Members wishing to be listed may request the Board of Directors at any

membership meeting by submitting a request to the secretary@sccsfa.org.

The club recently installed a large screen TV, with DVD player and most importantly a sound system for the clubhouse, to help the older folks hear what is going on at the meetings. This can be used for training and other presentations such as our monthly new member orientation. Again thanks to Dave Hutchins, Jimmy Booker & Paul Jerman for completing the project on a hot summer day.



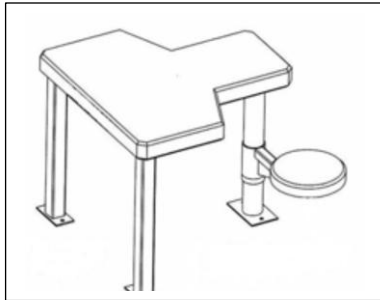
Most appreciated Club Improvement



Another Milestone is Reached in SCCS&FA History

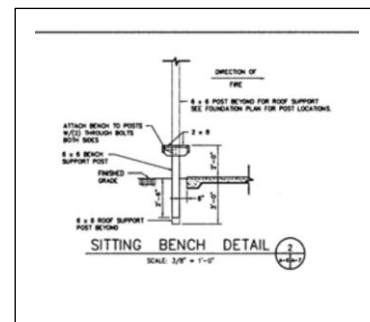
SCCS&FA V.P. - Dave Hutchins

Beginning in early 2010 I started to notice how many of our members were utilizing the shooting benches on the rifle/pistol ranges & it seemed to me that with all the twisting & contorting that they were doing to get into a shooting position on the firing line that our shooting benches were not working out. The benches on the 15 & 25 yd. ranges were of a picnic bench configuration & were not conducive toward rifle or standing pistol shooting. If a member was in a wheelchair or scooter they would have to dismount & reposition on the bench seat. The 50 yd. range had T style benches but no stools readily available most of the time & were a little too tall. The 100yd range benches were also T style but here again the complaint was no stools but the benches were of the right height. The 75 yd. range benches were the ones our members seemed to prefer but again no seats were readily available. Time to start looking for a fix.



The NRA range resource manual showed a shooting bench configuration that incorporated a cantilevered seat on a swivel on the back leg made of 2" pipe. The thought kept pounding in the back of my mind that every time we build anything out of wood for our club & let mother nature get a hold of it, She always succeeded in reclaiming her wood & the item would fail sooner than later. It was soon after starting my research that I came across a company out west that was manufacturing a pre-cast concrete shooting bench based on the NRA design & came with steel legs & a concrete top & seat. After inquiring about these benches soon found out that to outfit all of the ranges with these benches it was going to cost in the area of \$30,000. Just way too much money for now.

Time to figure out how to make this project happen on a dime. I built a prototype bench utilizing the concrete tops we had left over from the 75yd range and the cantilever seat arm design from the NRA & presented it to the membership & to the executive committee with a budget cost of around \$200 per unit installed (as opposed to \$1000 +) with warm reception. This new design would also be handicap accessible. I procured the steel & went to work processing it into the component parts & it was about that time the club's IT committee got the mass emailing system up & running so we put out a cry for volunteer help. The response was slow & small but was manageable to accomplish phase one - fabrication. We started out with around 8 member volunteers. This was now late in 2010. The fabrication proceeded at the volunteer's availability of time in their own workshops welding steel, gluing/cutting out wood seats, drilling holes & casting concrete tops. Everyone got their work completed just before the freezing weather broke. Originally we were going to clean the steel ourselves & paint the parts ourselves but we realized that was going to be a messy disaster so all the parts were sent off to be sand blasted & powder coated. It's



Go time. Once the freezing weather broke, the original volunteers & some new faces to the group got together at regular intervals to accomplish the tasks of range prep work,

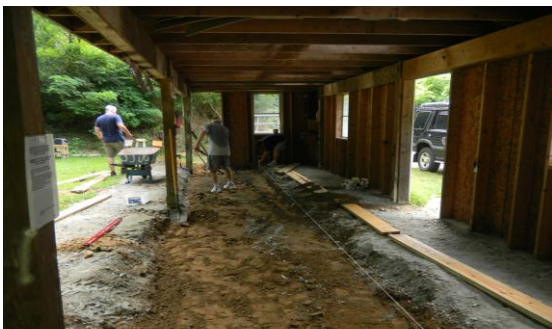
bench final assembly & pouring concrete (all 8 1/4 yds. of it) pads to bolt the new benches onto. The first set of benches was installed on the 75 yd. range in June & the final install was in late August on the rest of the ranges. What you see before you on the rifle/pistol ranges is the culmination of over 1 year's work & the volunteer efforts of many of your fellow members who gathered to shed blood, sweat & tears to accomplish a common goal & provide this little piece of enjoyment for the rest of the membership at large for many years to come.

THANKS is hardly enough, the following members work on the project was invaluable in accomplishing this task.

Eric Adams, Ron Adlesic, Charlie Beatty, Mike Bloh, Nick Boltuch, Jim Booker, Jr., Andrew Conner, Ron Cunningham, Charlie Fountain, Faith Goodwin, Jim Hanlon, Scott Hemphill & 2 of his workers, Mr. Kim Hemsarth, Mike Hemsarth, Paul Herrick, Walt Higgins, Bill Mansi, Scott McCormick, Richard Moore, Mark Peterson, Joseph Petrillo, John Pierce, Harvey Schwartz, Jay Sinclair, John Springer, Dave Stephens, Joel Tea, Andrew White, Jim Willenbecher, Edward Work, John Yuingling.
Amy Hutchins (fed us & kept us hydrated)

Special thanks to the companies who either supplied services/materials or are owned by participating members:

Heritage Materials (formerly Newark concrete), Adlesic Masonry, Chester County Welding & Services, Ray's Sandblasting, Joseph Fazio, Inc., Steel & Metal Liquidators, LLC. New Castle DE, & Kennett Pizza.





New Look in the Club House

Dave Hutchins

The club purchased 20 new plastic folding tables for the meeting room, replacing the 22 year old heavy wooden ones. The old tables were donated to Habitat 4 Humanity for use in their ReStore display area.



Membership Committee:

Amy Jo Hutchins

We currently have 1291 members. Membership renewal notices will go out starting the first week of September and can be renewed on Field Day, but you have until December 31st to submit your renewal. Members must have a valid card to be on club property. Questions can be directed to membership@sccsfa.org. Remember we only take 30 new members a month and you must schedule your time on the last Tuesday of each month with the membership secretary.

Treasurer's Report

Steve Bunnell

Over the past Month, the club spent more money than it took in, decreasing the total savings account balance. It was noted that this is normal for this time of the year and will be reversed by the upcoming September Dues payments. Full information is available to any member at a membership meeting.

Archery Committee:

Ray Caba

Low attendance thus far for range shooters, hot and humid weather. Good work being done on outdoor course. The July 17th shoot at Pendel resulted in wins by all club members who participated. Ten new safety signs were installed on outdoor course to mark the range. It should be noted that the big animals with folks on their back are Horses that use the riding trails. We are planning to refurbish the indoor range, preliminary estimates are \$726 for wood products, and \$1934 for steel. Indoor season Starts January 9, 2012.

Fish & Lake Committee:

Sonny Maddalozzo

Bass & Crappy are being caught. The recent storm flooded the area but everything still works. Best of all we are progressing with the road and will soon have the Porta Potty in place saving the long walk up the hill. As of this writing the road is nearly completed to the bottom of the hill.



Trap Committee:

Steve Bunnell



The trap range is open to members and friends every Sunday from 12 noon with the last signup at 3pm. The cost is \$4.00 for "birds". The club recently added a hand trap for members to use during off hours. It is secured to a concrete pad and is for members to use anytime except when the trap range is in operation. Last month we had 126 squads.

The club has many training programs to offer, all use NRA or craft certified instructors. For information contact juniors@sccsfa.org. Shown are Dave Hutchins & John Flynn with the juniors in the NRA 14 hour, four position qualification course.



Training at the Club

SCCS&FA will be presenting a basic rifle course for Juniors ages 12 – 18 beginning on Aug. 28th. This course is 14 hours long & is spread out over 7 Sundays from 12 noon – 2pm each day. This is the full NRA basic rifle course teaching 4 position shooting using .22 bolt action rifles & certificates will be issued to all participants who attend the full class & pass the final exam. The course includes the use of rifle, ammunition, targets & student packet. Cost is \$35. Pre-registration was required, not later than Aug. 22nd. Contact the Junior club Chairman Larry Bickings at junior@sccsfa.org. An NRA Basic rifle course for Adults ages 18+ will be offered the same curriculum & schedule as the Junior course beginning on October 23rd 12noon – 2pm at a cost of \$35. To pre-register for the adult course contact Dave Hutchins at vice-pres@sccsfa.org. Register for this course no later than October 10th.

SCCFSA is hosting a class on the U.S. Constitution and our nation's founding principles.

In this day and age of government over-reach, it is more important than ever that concerned citizens like you learn anew the principles that have made America great and will continue to serve her well. To date, over 250 people have taken Coalition for Advancing Freedom (CAF) Constitution Classes. We continue to hear what a difference these 6-week classes are making in people's lives. This class will re-ignite your understanding and appreciation for our nation's framework of governance, give you hope for the future and spur you on to civic action. Parents with high-school teens, get some quality time with your young adults and sign up with them.

This is a 6 week course, one night a week which covers a clear overview of the U.S. Constitution. It also covers how important religion was, numerous historical facts, the founder's thinking on many of the Constitutional debates and our religion that are so relevant to us today. The course is based on the book, The 5000 Year Leap, and the Rick Green lecture series from Wallbuilders. The course is free. Course materials, including two books, a pocket Constitution, and numerous handouts are available for purchase at CAF's wholesale cost of \$25.00.

Just sign up with Dave Hutchins via email vice-pres@sccsfa.org or Amy Jo Hutchins via email – membership@sccsfa.org.

For more information on CAF go to www.advancefreedom.org.

You can also contact Charlie Beatty directly at 610-274-3596 or at chasbeatty@yahoo.com to reserve your seat or if you have any questions.

Here is a Constitutional Question? If you are born on the land are you a citizen, or in this case a club member?

Range Rover

Hello, My name is Ranger. I was born around July 4th weekend in an old groundhog hole in the side berm of the 100 yd. range. Many of you may have seen me roaming around the 50 & 75yd ranges, thus my new name Ranger (Range Rover is my full name). I just wanted to take the opportunity to thank all of you humans who gave me food & water to keep me alive. Just when I thought the end was near for me after surviving the storms on Aug. 25th

& Hurricane Irene was starting to make my life real scary & I was cold, wet, hungry & too weak to keep going, I was rescued by Dave Hutchins & I now live in Wilmington, Delaware with Dave & Amy Hutchins along with their 2 dogs, Crystal & Jem (my future staff). I am learning how to play with these fun things known as toys & occasionally the dogs tails or Amy's feet make for good fun, this is not to say that pieces of carpet & empty cartridge casings weren't fun. I would like to say I will miss the days of roaming wild at the club (not really), but I much prefer living in a house as I have endless food, water, shelter, toys & safety from the big birds (Hawks).



Bylaws

The Club Bylaws committee recommends that the following changes to the bylaws be approved by the membership of Southern Chester County Sportsman's and Farmers Association. The changes bring our accounting system up to current practices. The proposed changes will be communicated to the membership for consideration before the next meeting. and published on our web site under "What's New" and the quarterly newsletter.

Current Bylaws

Section 4, Treasurer

The Treasurer shall collect all monies due the Association and have charge of all funds and securities of the Association, keeping accurate account thereof, and subject at all times to inspection by the Executive Committee or any member at a regular club meeting. The Treasurer shall distribute no club funds except on checks signed by two officers. The Treasurer shall deposit monies of the Association in such bank as the Executive Committee shall approve. The Treasurer shall give bond in such amount as the Executive Committee may designate. The cost of such bond shall be made up from the treasury of the Association.

Proposed Bylaws

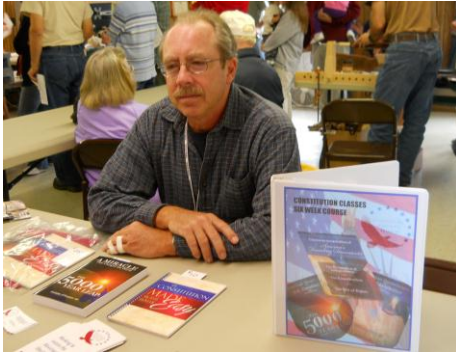
Section 4, Treasurer

The Treasurer shall collect all monies due the Association and have charge of all funds and securities of the Association, keeping accurate account thereof, and subject at all times to inspection by the Executive Committee or any member at a regular club meeting. ~~The Treasurer shall distribute no club funds except on checks signed by two officers.~~ The Treasurer shall deposit monies of the Association in such bank as the Executive Committee shall approve. The Treasurer shall pay all outstanding obligations of the Association by whatever method most convenient from the bank accounts of the Association provided that the obligations have been previously approved by the Executive Committee or the General Membership. ~~The Treasurer shall give bond in such amount as the Executive Committee may designate. The cost of such bond shall be made up from the treasury of the Association.~~

Field Day 2011

This is when we show off all the programs at the club. Our club has a diverse membership with many hobbies and skills to demonstrate to both new and old members. This year we had the Black Powder exhibits, fly tying, archery, cross bow, junior programs, Jakes, Gatling Gun, trap shooting, programs inside the club house, included blood pressure screening, raffles and other information. Additionally Warren held classes for new members throughout the day. Meanwhile AmyJo and the staff of volunteers in the membership committee processed both new and old memberships in such an efficient manner that there were no long lines. For those that were hungry Tom & the Kitchen staff were kept busy. The field day committee that organized this was headed up by Dave Hutchins. The following selection of photos hardly covers the full range of activities today. See you next year!!





Published Quarterly for the members & friends of Southern Chester County Sportsman's & Farmers Assoc. with approval of the Board of Directors and Officers. Editors: Joe Rogish Jr., Louis Flanagan, Chris Cunningham, Harry Hitchcock, Andrew Slemmer & Gordon Hendry. Comments to: newsletter@scsfa.org Photos used with permission.

Southern Chester County Sportsmen's and Farmers Association, Incorporated
720 Sportsmans Road
Kennett Square, Pa. 19348
Club telephone: 610-268-3739

Club Officers

President	Derek Strine	president@sccsfa.org	302-593-6682
VP	David Hutchins	vice-pres@sccsfa.org	302-998-5450
Secretary	David Jahn	secretary@sccsfa.org	610-461-7755
Treasurer	Steve Bunnell	treasurer@sccsfa.org	610-461-7755
At Large	Charlie Fountain	Fcco4444@aol.com	302-737-9301

Directors (January 1, 2011 to December 31, 2012)

Rich Debacco	archery@sccsfa.org	484-574-9043
Rob Harper	pistol@sccsfa.org	302-286-0474
Tom Henson	kitchen@sccsfa.org	610-594-0616
Ray Caba	ray.archeryschool@yahoo.com	610-842-2130
Ed Weitzman	fullauto@sccsfa.org	610-268-3778

Directors (January 1, 2010 to December 31, 2011)

David Markowitz	davemarkowitz@gmail.com	610-389-1724
Amy Hutchins	membership@sccsfa.org	302-998-5450
Drew Gregg	blackpowder@sccsfa.org	302-388-8695
Sonny Maddalozzo	fish-lake@sccsfa.org	610-312-9726
Tom Stevens		610-268-2810

Committee Chairs:

Archery: Ray Caba	archery@sccsfa.org	610-842-2130
Field Day: David Hutchins	vice-pres@sccsfa.org	302-737-9301
Fish and Lake Sonny Maddalozzo	fish-lake@sccsfa.org	610-312-9726
Full Auto: Ed Weitzman	fullauto@sccsfa.org	610-268-3778
I.T.: Dave Markowitz	davemarkowitz@gmail.com	610-389-1724
Junior Program: Larry Bickings	junior@sccsfa.org	484-252-9086
Kitchen: Tom Henson	kitchen@sccsfa.org	610-594-0616
Legislative Action: Ned Hogan		302-239-9340
Membership: Amy Hutchins	membership@sccsfa.org	302-998-5450
Newsletter: Joe J. Rogish	newsletter@sccsfa.org	610-268-6924
Pistol: Rob Harper	pistol@sccsfa.org	302-286-0474
Rifle: Tom Stevens		610-869-0268
Safety Officer: Warren Goodwin	safety@sccsfa.org	610-356-3569
Shotgun Sports: Steve Bunnell	shotgunsports@sccsfa.org	610-459-5618

September, 2011